

Solar Data Systems

Solar solutions for monitoring, visualization, evaluation, troubleshooting & control



Solar Monitoring as a Service



Revenue-Grade Solar Production

The ArrayMeter is a revenue-grade solar power production meter with LTE cellular capability from Solar Data Systems. A three-phase version is available for commercial and industrial solar plants, and a single-phase version is available for all residential solar plants.

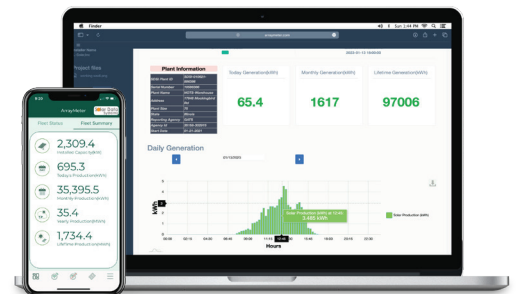


We understand how important it is to have a reliable solar production meter that is also quick to install. Our revenue-grade ArrayMeter is plug-and-play, and can be setup on the app in less than 10 minutes, all from a mobile device. ANSI certification ensures that your production reading will be accurate enough to meet or exceed SREC or PPA requirements.

Revenue-Grade Meter for PBI or SREC Reporting

An ideal solution for hassle-free PBI or SREC reporting (GATS/PTS, NEPOOL).

kWh production information is measured using the integrated current transformers. The collected data is then transmitted to our online monitoring software, where it can be remotely viewed and automatically reported to the assigned agency.

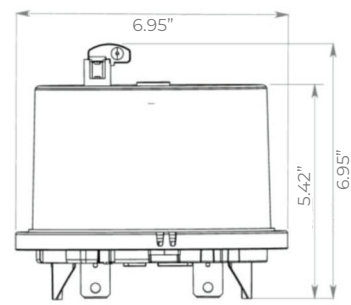


Standard Socket Meter for Easy Installation

Easily installed in a standard meter socket and requires no on-site configuration. Connectivity through cellular network supports plug-and-play installation.

Technical Specifications

ArrayMeter



General	3-Phase	Split-Phase
Certifications	ANSI C12.18, C12.19, C12.20, C37.90.1 Compliant; UL Approved	ANSI C12.18, C12.19, C12.20, C37.90.1 Compliant; UL Approved
Accuracy Class	±0.2%	±0.2%
Current Class	320	200
Display	LCD Display	LCD Display
Display Values	KWh	KWh
Logging Interval	15 Minutes	15 Minutes
Warranty	2 Years, More Possible	2 Years, More Possible
Part Number	825300	825100
Communication	CAT M1 LTE Comm, Verizon	CAT M1 LTE Comm, Verizon
Electrical		
Frequency	50/60Hz ±5%	50/60Hz ±5%
Input Voltage, Max Current	120-480V, 320A	120-480V, 200A
Starting Watts	<1.2 @ 120 VAC	<1.2 @ 120 VAC
Operational Temperature	-40 to 185° F	-40 to 185° F
Connection Type	3-Phase, 3-Wire (Delta) or 3-Phase, 4-Wire (Wye)	Single-Phase, 3-Wire
Remote Disconnect	-	Optional (Part # 825150)
Mechanical		
Enclosure	NEMA 3R Type	NEMA 3R Type
Socket Type	16S (7 Terminals)	2S (4 Terminals)
Weight & Dimensions	2 lbs., 6.45" x 6.95" x 6.95"	2 lbs., 6.45" x 6.95" x 6.95"
Remote Firmware Upgrade	Yes	Yes